



KNOBLITE® 2500 OPERATION MANUAL

WELCOME

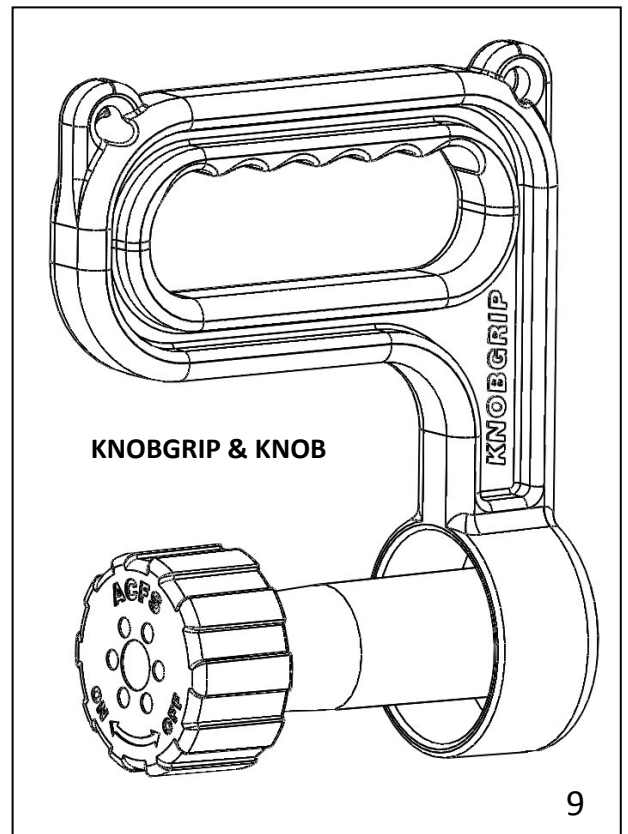
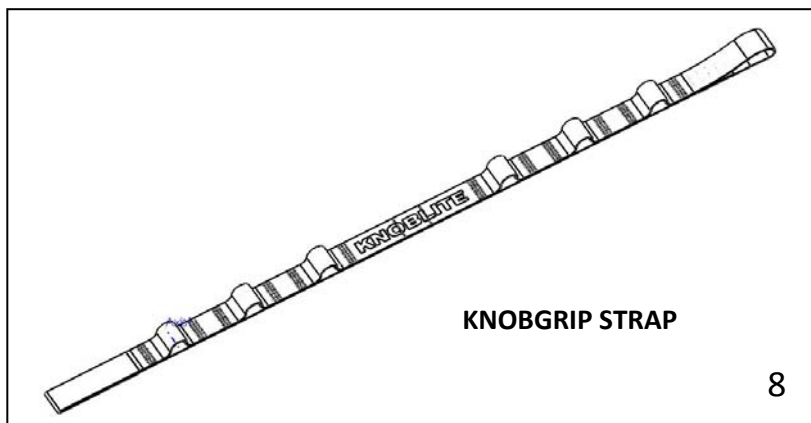
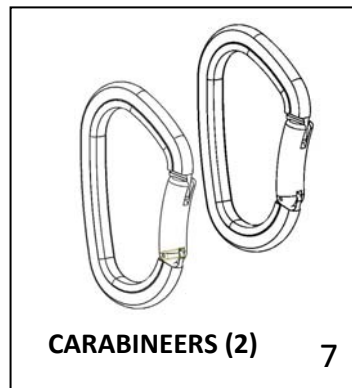
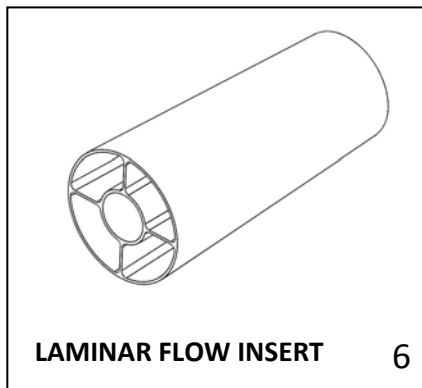
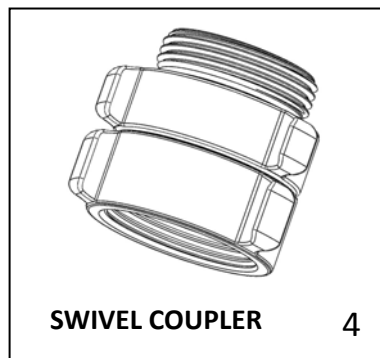
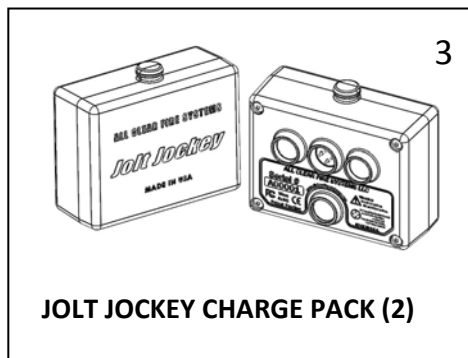
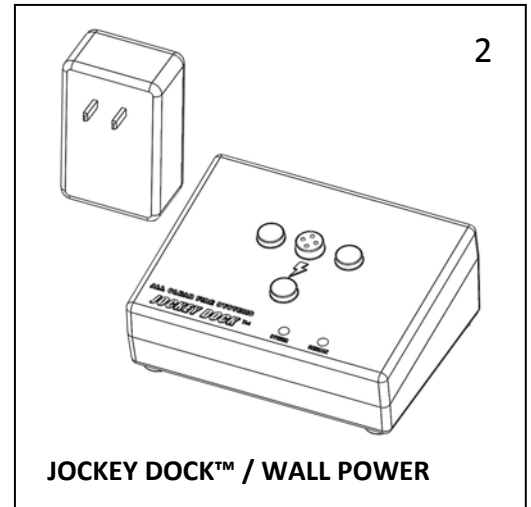
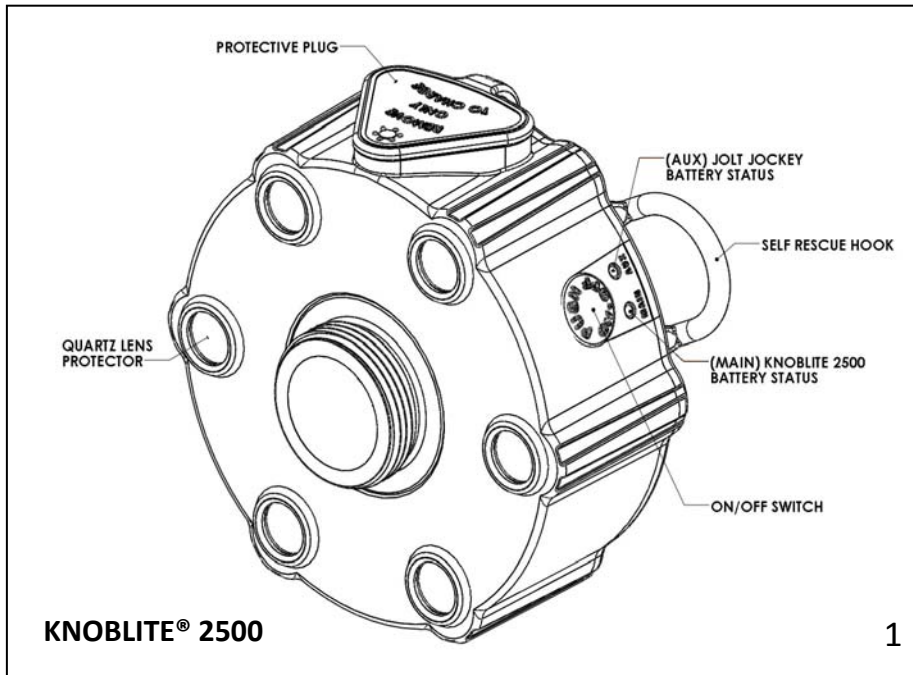
- Thank you for purchasing the Knoblite® 2500 system!
- Please read and understand this Operations Manual prior to use of the Knoblite® 2500 with the knowledge that doing so is no substitute for hands-on training by a Knoblite® accredited instructor.

TABLE OF CONTENTS

1. Identification of System Components
2. Knoblite® 2500 - Getting Started
3. Initial Set-Up Figures
4. Knoblite® 2500 System Charging
5. Knoblite® 2500 System LED Status Table
6. Technical Specifications & Features
7. Warranty, Warnings & Disclaimers

THE KNOBLITE® 2500 SYSTEM ILLUSTRATIONS

1. Knoblite® 2500
2. Jockey Dock™ Charger /Wall Power Plug
3. (2) Jolt Jockey™ Charge Packs
4. Swivel Coupler
5. Knoblite® Stream Shaper (Straight Bore Tip)
6. Laminar Flow Insert
7. (2) Strap Carabineers
8. KnobGrip™ Strap
9. KnobGrip™ Handle & Knob
10. Operations Manual (NOT ILLUSTRATED)



KNOBLITE® 2500 -- GETTING STARTED

A) INSTALL THE ADJUSTING COUPLER TO YOUR NOZZLE HANDLE. TIGHTEN IT WITH A SPANNER WRENCH USING STANDARD FORCE (FIG 1).

B) INSTALL THE LAMINAR FLOW INSERT INTO THE CENTER HOLE OF THE KNOBLITE® 2500, THEN ATTACH THE KNOBLITE® 2500 TO THE ADJUSTING COUPLER. MAKE SURE THE ON/OFF BUTTON IS FACING UP AND TIGHTEN DOWN WITH SPANNER WRENCH USING MODERATE FORCE (FIG 2).

C) INSTALL THE KNOBLITE® STREAM SHAPER, YOUR COMBINATION OR OTHER TIP TO THE KNOBLITE® 2500. THE KNOBLITE® STREAM SHAPER IS DESIGNED TO TIGHTEN WITH A GLOVED HAND (FIG 3).

D) PLUG THE JOCKEY DOCK™ WALL ADAPTER INTO A STANDARD 110V OUTLET. REFERRING TO FIG 5, WHEN THE JOCKEY DOCK™ IS SUPPLIED WITH THE CORRECT POWER THE POWER LED LIGHTS BLUE. IF THE SUPPLIED POWER IS INCORRECT THE "POWER" LED LIGHTS RED, INDICATING TROUBLE WITH THE OUTLET VOLTAGE OR THE WALL ADAPTER.

E) PLACE A JOLT JOCKEY™ ON THE JOCKEY DOCK™ FOR CHARGING (FIG 4). THE "CHARGE" LED (GREEN, FIG 5) BLINKS STEADILY WHILE THE JOLT JOCKEY™ IS CHARGING AND TURNS SOLID WHEN FULLY CHARGED.

KNOBLITE® 2500 AND JOLT JOCKEY™(S) ARE SUPPLIED PARTIALLY CHARGED FROM FACTORY. WHILE THE JOLT JOCKEY™(S) ARE CHARGING, PLEASE FAMILIARIZE YOURSELF WITH KNOBLITE® 2500 OPERATIONS.

F) PRESS THE ON/OFF BUTTON DOWN FIRMLY FOR ONE (1) SECOND TO TURN THE LIGHT ON. AT START-UP THE KNOBLITE® 2500 IS IN THE HIGH OUTPUT MODE (2500 LUMENS). PRESSING THE ON/OFF BUTTON AGAIN WILL SWITCH TO LOW OUTPUT MODE (1250 LUMENS). THE LIGHTING POSITION MAY BE SWITCHED FROM HIGH TO LOW AS OFTEN AS NEEDED TO SUIT YOUR LIGHTING NEEDS. WHEN FIRST TURNED ON, THE ON/OFF BUTTON WILL GLOW BRIGHT GREEN AND THE "MAIN" LED ON THE BUTTON PANEL WILL ALSO BE GREEN INDICATING THAT THE KNOBLITE® IS RUNNING ON INTERNAL BATTERIES (FIG 6).

G) TO TURN THE KNOBLITE® 2500 OFF AT ANY TIME, FIRMLY HOLD DOWN THE ON/OFF SWITCH FOR (2) TWO SECONDS.

ETWL -- ELAPSED TIME WARNING LIGHT

F) AS SOON AS THE KNOBLITE® 2500 IS TURNED ON THE ELAPSED TIME WARNING TIMER IS ACTIVATED AND BEGINS A TEN (10) MINUTE COUNTDOWN. WHEN FIVE (5) MINUTES HAS ELAPSED, THE ON/OFF BUTTON CHANGES FROM BRIGHT GREEN TO FLASHING BRIGHT YELLOW (FIG7a). AT TEN (10) MINUTES ELAPSED TIME, THE ON/OFF BUTTON CHANGES FROM FLASHING BRIGHT YELLOW TO A SOLID BRIGHT RED OR **CONSTANT RED** (FIG7b) INDICATING THAT IT IS TIME TO CHECK YOUR SURROUNDINGS AND SAFETY EQUIPMENT AND PLAN YOUR EXIT.

****CONSTANT RED**** AT TEN (10) MINUTES ELAPSED ON TIME SERVES TO REMIND EMERGENCY CREWS OF BENCHMARKS, PAR (PERSONAL ACCOUNTABILITY REPORTS), AIR MANAGEMENT, OR OTHER CONSIDERATIONS.

NOTE: SWITCHING OUTPUT MODES FROM HIGH TO LOW WILL NOT AFFECT THE (ETWL) TIMER.

KISS -- KNOBLITE® ILLUMINATION SAFETY SYSTEM

G) IF YOU GET KNOCKED OFF THE HANDLINE OR ARE UNABLE TO EXIT THE STRUCTURE, THE KNOBLITE® 2500 WILL STAY ILLUMINATED UNTIL INTERNAL BATTERIES ARE DEPLETED. THE ON/OFF BUTTON WILL CONTINUE TO GLOW SOLID RED AFTER TEN (10) MINUTES ELAPSED TIME WHILE THE KNOBLITE® ACTS AS A SURVIVAL BEACON.

KNOBLITE® SELF RESCUE HOOK

H) THE SELF RESCUE HOOK (FIG 10) IS USED TO ATTACH KNOBLITE® 2500 TO YOUR TURNOUTS IN EMERGENCY SITUATIONS. THE SELF RESCUE HOOK CAN ALSO BE USED WITH THE KNOBGRIIP™ STRAP AND CARABINEERS OFFER AN ALTERNATIVE MEANS OF SECURING A HANDLINE TO YOUR PERSON.

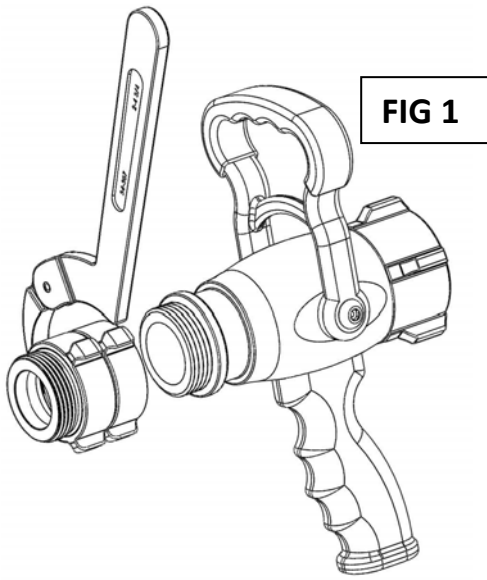


FIG 1

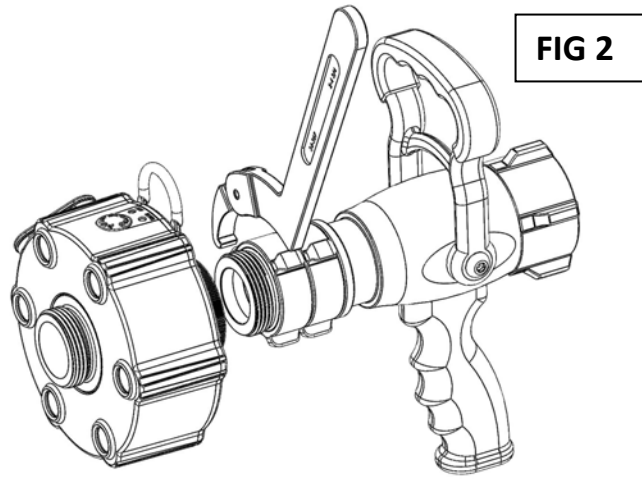


FIG 2

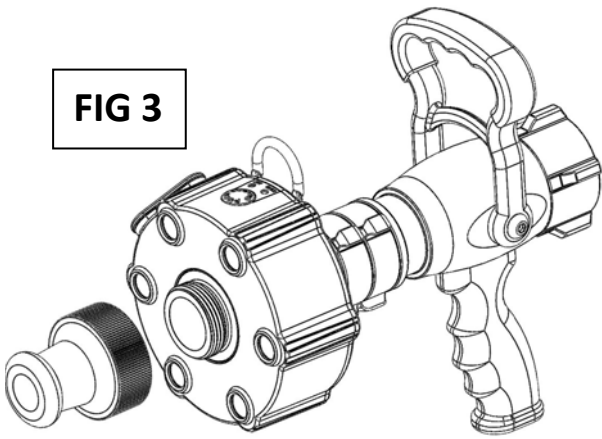


FIG 3

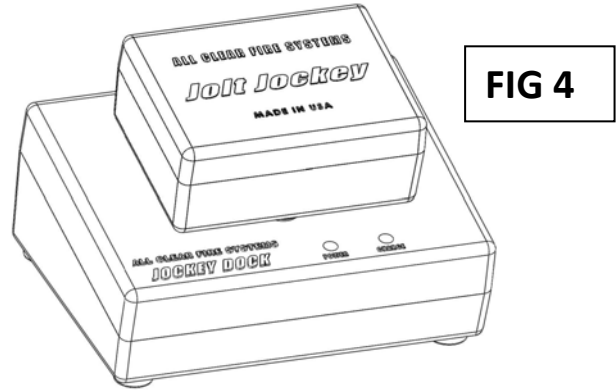


FIG 4

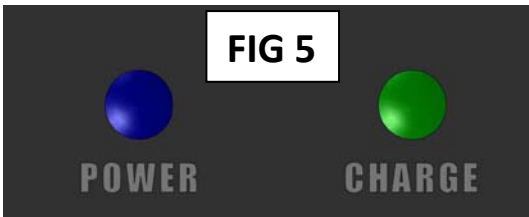


FIG 5



FIG 6



FIG 7A



FIG 7B

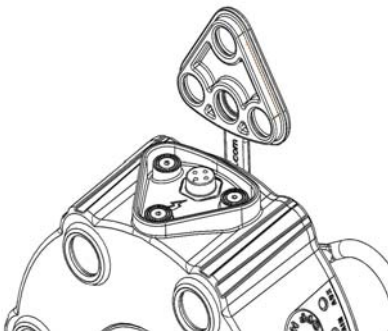


FIG 8A

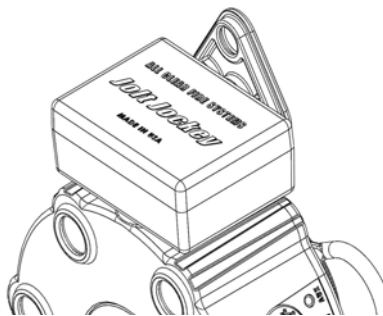


FIG 8B



FIG 9

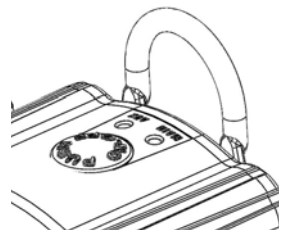


FIG 10

KNOBLITE® 2500 AND JOLT JOCKEY™ CHARGING

I) TO CHARGE THE INTERNAL BATTERY OF THE KNOBLITE® 2500, DETACH THE ORANGE PROTECTIVE PLUG (FIG 8A) AND INSTALL A FULLY CHARGED JOLT JOCKEY™ ON THE MAGNETIC CONTACTS (FIG 8B) OF THE KNOBLITE® 2500. AS SOON AS THE JOLT JOCKEY™ IS ATTACHED, THE LED INDICATOR LIGHTS BELOW THE ON/OFF BUTTON GLOW (FIG 9). THE “MAIN” LED INDICATES THE STATUS OF THE INTERNAL BATTERY AND THE “AUX” LED INDICATES THE STATUS OF THE JOLT JOCKEY™ BATTERY. EACH LED WILL BE IN ONE OF THREE STATES: (SOLID GREEN= FULL CHARGE, FLASHING GREEN= CHARGING, SOLID RED= BATTERY DEPLETED).

NOTE: WHEN LED TURNS RED IN “MAIN” AND “AUX” BATTERIES HAVE (10) TEN MINUTES OF BATTERY LIFE LEFT.

WHEN A JOLT JOCKEY™ HAS BEEN 100% DEPLETED, BOTH THE “MAIN” AND THE “AUX” LEDS WILL TURN OFF. REMOVE THE DEPLETED JOLT JOCKEY™ AND PLACE IT ON THE JOCKEY DOCK TO CHARGE. PLACE ANOTHER FULLY CHARGED JOLT JOCKEY™ ON THE KNOBLITE® 2500 TO COMPLETE CHARGING THE INTERNAL BATTERY. WHEN THE KNOBLITE® 2500 IS FULLY CHARGED THE “MAIN” AND “AUX” LEDS WILL GLOW SOLID GREEN.

NOTE: IF THE KNOBLITE® 2500 IS POWERED WHILE BEING CHARGED (BY A JOLT JOCKEY™), THE JOLT JOCKEY™ WILL BYPASS THE INTERNAL BATTERY AND POWER THE KNOBLITE® 2500. WHEN POWER IS SWITCHED OFF, THE JOLT JOCKEY™ RETURNS TO CHARGING MODE TO CHARGE THE INTERNAL BATTERY OF THE KNOBLITE® 2500.

KNOBLITE® 2500 INTERNAL BATTERY RUNTIMES:

FULLY CHARGED = HIGH OUTPUT (2500 LUMENS) = 1.5 HOURS

FULLY CHARGED = LOW OUTPUT (1250 LUMENS) = 6 HOURS

JOLT JOCKEY™ RUNTIMES:

FULLY CHARGED = HIGH OUTPUT (2500 LUMENS) = 1.5 HOURS

FULLY CHARGED = LOW OUTPUT (1250 LUMENS) = 6 HOURS

KNOBLITE® 2500 SYSTEM RUNTIMES:**

FULLY CHARGED KNOBLITE® 2500 PLUS JOLT JOCKEY™** = HIGH OUTPUT (2500 LUMENS) = 3.0 HOURS

FULLY CHARGED KNOBLITE® 2500 PLUS JOLT JOCKEY™** = LOW OUTPUT (1250 LUMENS) = 12.0 HOURS

KNOBLITE® SYSTEM CHARGING TIMES:

KNOBLITE® 2500 (FULLY DEPLETED TO FULL CHARGED) = 4 HOURS (2 JOLT JOCKEY™ REQUIRED)

JOLT JOCKEY™ CHARGE TIME (FULLY DEPLETED TO FULL CHARGED ON JOCKEY DOCK™) = 2 HOURS

****JOLT JOCKEY™ CHARGING PACKS ARE NOT RECOMMENDED FOR EXTENDED TEMPERATURES OR EXTREME ENVIROMENTS**

KNOBLITE® 2500 AND JOLT JOCKEY™ OPERATIONS & CHARGING TABLE

KNOBLITE® 2500 ON/OFF SWITCH STATUS INDICATOR			
INDICATOR COLOR	SOLID GREEN	FLASHING YELLOW	SOLID RED
STATUS INDICATED	LIGHTS ON 0 TO 5 MIN	LIGHTS ON 5 TO 10 MIN	LIGHTS ON 10+ MIN

POWER PANEL LED INDICATIONS FOR KNOBLITE® 2500 IN CHARGING MODE		
(KNOBLITE® 2500 IN “OFF” CONDITION, JOLT JOCKEY™ INSTALLED TO CHARGE)		
	“MAIN” LED	“AUX” LED
INTERNAL BATTERY CHARGING	FLASHING GREEN	GREEN
INTERNAL BATTERY ½ CHARGED	OFF	OFF
INTERNAL BATTERY FULLY CHARGED	GREEN	GREEN







POWER PANEL LED INDICATIONS FOR KNOBLITE® 2500 IN USE		
(KNOBLITE® 2500 IN “ON” CONDITION WITH NO JOLT JOCKEY™)		
	“MAIN” LED	“AUX” LED
INTERNAL BATTERY DISCHARGING	GREEN	OFF
INTERNAL BATTERY NEARLY DEPLETED	RED	OFF
INTERNAL BATTERY COMPLETELY DRAINED	OFF	OFF

POWER PANEL LED INDICATIONS FOR KNOBLITE® 2500 IN USE		
(KNOBLITE® 2500 IN “ON” CONDITION WITH JOLT JOCKEY™)		
	“MAIN” LED	“AUX” LED
INTERNAL BATTERY FULLY CHARGED, JOLT JOCKEY DISCHARGING	GREEN	GREEN
INTERNAL BATTERY AND JOLT JOCKEY NEARLY DEPLETED	RED	RED
BOTH INTERNAL BATTERY AND JOLT JOCKEY DRAINED	OFF	OFF

POWER PANEL LED INDICATIONS FOR KNOBLITE® 2500 IN USE		
(KNOBLITE® 2500 IN “OFF” CONDITION WITH JOLT JOCKEY™)		
	“MAIN” LED	“AUX” LED
INTERNAL BATTERY FULLY CHARGED, JOLT JOCKEY DISCHARGING	GREEN	GREEN
INTERNAL BATTERY CHARGING, JOLT JOCKEY DISCHARGING	FLASHING GREEN	GREEN
INTERNAL BATTERY AND JOLT JOCKEY NEARLY DEPLETED	FLASHING RED	RED
BOTH INTERNAL BATTERY AND JOLT JOCKEY DRAINED	OFF	OFF

JOCKEY DOCK™ LED INDICATIONS	
JOLT JOCKEY™ CHARGING	FLASHING GREEN
JOLT JOCKEY™ CHARGED	SOLID GREEN

KNOBLITE® 2500 FEATURES

KNOBLITE® 2500	OUTPUT MODE	
	LOW	HIGH
 Light Output	1250 LUMENS	2500 LUMENS
 Run Time	6 HOURS	1.5 HOURS
 Beam Distance	1500 FEET	2000 FEET
 Intensity	25,000 CANDELA	50,000 CANDELA
 Impact Resistant	3 METERS DROP	
 Water Proof	IPX7 RATED	
DUST PROOF	IP67 RATED	
POWER SOURCE	Li-Po CELLS (RECHARGABLE)	
THERMAL RATING	T3	
WEIGHT	1.6 KILO GRAMS / 3.5 POUNDS	

KNOBLITE® KEY FEATURES:

- SELF RESCUE HOOK
- SIX (6) HIGH OUTPUT CREE XML 2 LEDS – 50,000 HOURS LIFE EXPECTANCY
- FUSED QUARTZ LENS PROTECTORS FOR NEARLY 100% LIGHT TRANSMISSION
- DELPHI-K ALLOY CORROSION RESISTANT ALUMINUM DIE-CAST CONSTRUCTION
- 6061 ALUMINUM CENTER THREAD ADAPTOR (THREADS CUSTOM TO YOUR DEPARTMENT)
- HIGH POWERED LITHIUM POLYMER (Li-Po) BATTERIES – 500 CYCLES
- NEODYMIUM (RARE EARTH) MAGNETIC CHARGING PACK MOUNTING SYSTEM
- EXTEREME TEMPERTURE ENGINEERING POLYMER COMPONENTS
- OVER HEATING PROTECTION
- OVER CHARGE & OVER DISCHARGE PROTECTION

WARRANTY INFORMATION / REPAIRS

“We know you cannot do your job without your tools so, we’ll do whatever it takes to keep your KNOBLITE® 2500 working”

KNOBLITE® warrants that if you—our customer—purchase the Knoblite® 2500, and we determine that it is defective in materials and/or workmanship for ONE (1) year from date of purchase, we will repair or replace it—NO HASSLE!

Rechargeable batteries and chargers are warranted for one year from the date of purchase. KNOBLITE® plastic products are warranted for one year from the date of purchase. Our warranty does not cover consumables or normal wear-and-tear, or damage resulting from abuse, alterations, unauthorized repairs, or use contrary to KNOBLITE®’s user manuals.

Do not disassemble or attempt to **repair** or modify the unit. This action **will** automatically **void** your **warranty** and may be dangerous.

To help protect your investment KNOBLITE® offers reasonable rates to repair damage to our products that are not covered by our warranty. You will be provided with a quote for approval before work begins.

STANDARD DISCLAIMER

EXCEPT AS SPECIFIED ABOVE OR PROHIBITED BY APPLICABLE LAW: ALL EXPRESS OR IMPLIED CONDITIONS AND WARRANTIES, INCLUDING, WITHOUT LIMITATION, ANY IMPLIED WARRANTY OR CONDITION OF MERCHANTABILITY OR FITNESS FOR A PARTICULAR PURPOSE, OR ACCURACY OF ANY INFORMATIONAL CONTENT, ARE HEREBY EXCLUDED AND DISCLAIMED BY KNOBLITE® AND ITS AFFILIATES; AND IN NO EVENT WILL KNOBLITE® BE LIABLE FOR ANY SPECIAL, DIRECT, INDIRECT, CONSEQUENTIAL, INCIDENTAL OR PUNITIVE DAMAGES HOWSOEVER ARISING AND REGARDLESS OF THE THEORY OF LIABILITY, EVEN IF ADVISED OF THE POSSIBILITY OF SUCH DAMAGES. PRODUCTS, PRICES, AVAILABILITY, SPECIFICATIONS, AND OFFERS ARE SUBJECT TO CHANGE OR CANCELLATION AT ANY TIME WITHOUT NOTICE.

WARNINGS

KNOBLITE® uses high powered LEDs in the KNOBLITE® 2500. Do not stare into lights as eye damage may occur. These high powered LEDs will also get hot. Take care when handling KNOBLITE® 2500 for long periods of use.

KNOBLITE® 2500 and Jolt Jockey™ both use neodymium (rare earth) magnets. The strong magnetic fields of these magnets can damage magnetic media such as USB drives, memory cards, credit cards, magnetic ID cards, computer hard drives, video tapes, and similar items. They can also damage cell phones, televisions, VCRs, computer monitors, and other CRT electronics. Never bring neodymium magnets near any of these items. Never allow neodymium magnets near a person with a pacemaker or similar medical device. The strong magnetic fields of the magnet can affect the operation of such devices.

KNOBLITE uses Li-ion polymer batteries (Li-Po); You must read these safety instructions and warnings before using or charging your batteries. **Lithium Polymer and Li-ion batteries are volatile.** Failure to read and follow the instructions may result in fire, personal injury and damage to property if charged, discharged or used improperly. Li-ion and polymer batteries & battery packs may explode and cause fire if misuse, damaged or if defective. The end user must follow our instructions exactly for charging and discharging current. Do not attempt to charge or discharge with non-approved equipment. Reversed polarity connections must never be made in charging or discharging. Never short the batteries’ output. Lithium batteries have a finite cycle lifetime; please replace old batteries with new ones when they reach their maximum service life, or when two year old, whichever comes first.

****JOLT JOCKEY™ CHARGING PACKS ARE NOT RECOMMENDED FOR EXTENDED TEMPERATURES OR EXTREME ENVIROMENTS****

Use **ONLY** Jolt Jockey™ charging packs to charge the KNOBLITE® 2500 and use only Jockey Dock™ to charge the Jolt Jockey™ charging packs.



ALL CLEAR FIRE SYSTEMS, LLC
Phoenix, Arizona 85086
Local (602) 456-6173
Fax: 1-775-719-5370
Outside Arizona: 1-877-999-7689
www.Knoblite.com



****KNOBLITE® USES ONLY ISO9001-2008 CERTIFIED VENDORS****

"This product is not considered to be or to contain hazardous chemicals based on evaluations made by our company under the OSHA Hazard Communication Standard, 29 CFR 1910.1200."



REPLACEMENT PARTS / 2014 Prices

1. Knoblite® 2500.....\$499.00
P/N ACS0100 (Call for thread type)
2. Jockey Dock™ Charger.....\$69.00
P/N ACS0102
3. Wall Power Plug.....\$20.00
P/N AC0049
4. (1) Jolt Jockey™ Charge Pack.....\$59.00
(2) Jolt Jockey™ Charge Packs.....\$99.00
P/N ACS0103
5. Swivel Coupler.....\$35.00
P/N AC0057
6. Knoblite® Stream Shaper (Straight Bore Tip).....\$49.00
P/N AC0056
7. Laminar Flow Insert.....\$10.00
P/N AC0062
8. (2) Strap Carabineers.....\$25.00
P/N AC0055
9. KnobGrip™ Strap.....\$30.00
P/N AC0054
10. KnobGrip™ Handle & Knob.....\$35.00
P/N ACS00104
11. KnobGrip™ System (1 KnobGrip, 1 Strap, 2 Carabineers).....\$75.00
P/N ACS00105
12. Protective Plug (Orange).....\$20.00
P/N ACS00106
13. Knoblite® System Carrying Case.....\$175.00
P/N ACS00107 (Orange Pelican Case with Fitted Insert)
14. Knoblite® Annual PM Kit.....\$59.00
P/N ACS00108 (3 – 1300mAh L-ion Batteries, 3 Gaskets)


ALL CLEAR FIRE SYSTEMS. LLC

Order Form

FAX: 1-775-719-5370

IN ARIZONA: 602-456-6173

OUTSIDE ARIZONA: 1-877-999-7689

Part #	Quantity	Description	Thread Style	Price Each	Total Price
 Please check desired shipping box.				Subtotal	
Standard Ground 3rd Day* 2nd Day* NEXT DAY AIR <input type="checkbox"/> <input type="checkbox"/> <input type="checkbox"/> <input type="checkbox"/>				Sales Tax	
<small>*Shipping methods indicate number of business days needed to make delivery (not including weekends and holidays).</small>				Shipping	
				Total	

Shipping Address:		Credit Card Info:	
Name:		Name on Card:	
Address:		Visa/MasterCard	
City:		Credit Card Number:	
State:	Zip:	Expires:	CVV Code:
Phone:		Billing Address:	
E-Mail:		Name:	
ALL CLEAR FIRE SYSTEMS FAX: 1-775-719-5370 IN ARIZONA: 602-456-6173 OUTSIDE ARIZONA: 1-877-999-7689 E-Mail: sales@allclearfiresystems.com		Address:	
		City:	
		State:	Zip:
		Phone:	

Thank You for your order
PLEASE FIND THIS ORDER FORM ON OUR WEBSITE - Knoblite.com